

Utility you can trust™

The UTILEV® range of affordable forklift trucks delivers reliable and cost-effective materials handling solutions for applications across many industries, particularly where users require equipment without advanced functionality or attachments.

The product range has been designed to be easy to operate and maintain, and is backed up by a standard warranty and comprehensive parts availability.

Furthermore, a network of experienced resellers is on hand to provide maintenance and support.

Easy to Maintain

Thanks to the simplicity of the components and specification, servicing can be carried out quickly and easily, even when PCs, laptops or diagnostic tools are not available.

Simple to Use

The ergonomically designed operator compartment, with a familiar automotive layout means that drivers will be able to work comfortably, reducing tiredness during handling operations.

A range of standard features and options helps to ensure that the truck is configured to the needs of the application.

Affordable to Own

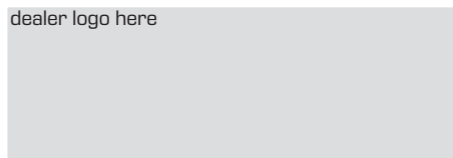
The use of proven, high quality, robust components, efficient filtration and excellent cooling result in reliable operation and lower wear and tear. This - together with the fast availability of cost-effective replacement parts - helps to reduce service and maintenance requirements and costs.



UT15WE

1,500kg

Technical Specifications



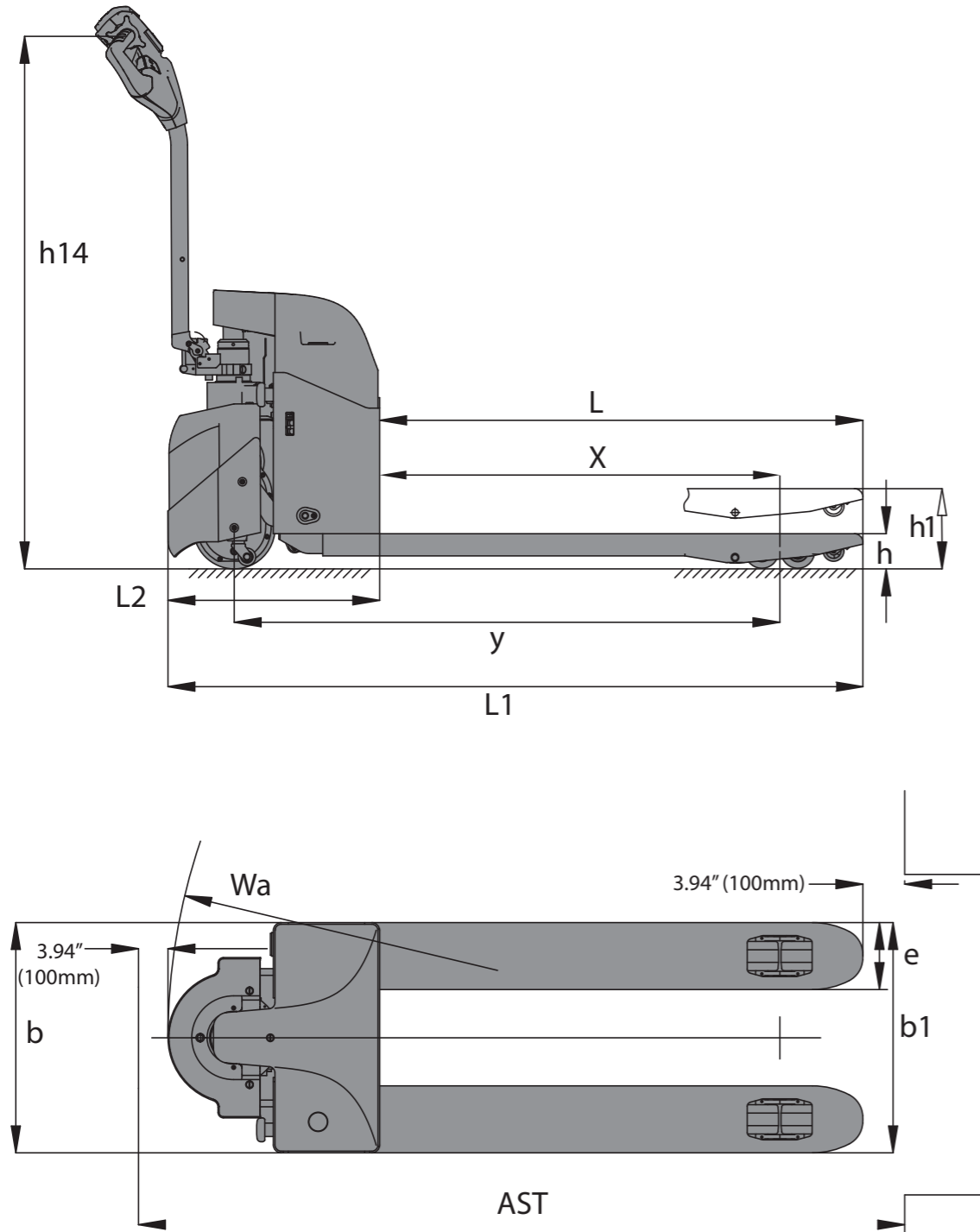
Utility you can trust™

www.asiapacific.utilev.com

These trucks conform to current legislative requirements. Specification is subject to change without notice. Trucks may be shown with optional equipment. Publication part no. BR0000046 9/2016

© 2016. All rights reserved. UTILEV is a Registered Trademark. THE UTILITY LIFT TRUCK and UTILITY YOU CAN TRUST are trademarks in the United States and certain other jurisdictions. Hyster-Yale Group, 1 Bullecourt Avenue Milperra NSW Australia 2214 Tel: +61 (2) 9795 3800 Fax +61 (2) 9771 1255 www.asiapacific.utilev.com

Truck Dimensions



UT15WE Power Plug Type



Please refer to table for more information

UT15WE Specifications

Manufacturer		UTILEV		
Model Designation		UT15WE		
Power Type		24-volt		
Operator Type		Pedestrian		
Characteristics	Rated Capacity	kg	1500	
	Load Center	mm	600	
	Fork Length	L	mm	1150
	Fork Overall Width	b1	mm	685 520
	Fork Width (Individual Fork)	e	mm	160
	Wheelbase (Raised)	y	mm	1287
	Wheelbase (Lowered)		mm	1357
	Overall Length (Raised)	L1	mm	1654
	Overall Length (Lowered)		mm	1724
	Outside Turning Radius (Raised)	Wa	mm	1454
Right Angle Stack (Raised)	AST	mm	1854	
Dimensions	Overall Lift Height – Top of Forks	h1	mm	190
	Lowered Height – Top of Forks	h	mm	75
	Total Lift		mm	115
	Truck Overall Width	b2	mm	685 520
	Chassis Length	L2	mm	504
	Load Face to Center of Load Wheel	X		
	Height of Tiller (max.)	h14	mm	1270
	Battery Compartment – Standard		mm	228 / 138 / 214
	Maximum Gradeability (Loaded / Unloaded)		%	5% / 10%
	Maximum Travel Speed (Loaded / Unloaded)		kph	4.3 / 4.8
Traction Motor Control Method Type			DC	
Service Brake Type			Electric	
Truck Weight (approximate) with battery - NL/RL		kg	205 / 1705	
Drive Tire – Size/Type (Number of Wheels)		mm	ø195 Poly (1)	
Load Wheel – Size/Type (Number of Wheels)		mm	ø74 x 93 Single	
Battery Type			GEL	
Battery Ampere Hours		Ah	65	
Battery Weight		kg	36	
On Board Charger		V	110-241	
Power Plug Type		A, C, G, I	⏏ ⏏ ⏏ ⏏	
Warranty			12mths / 1200hr	